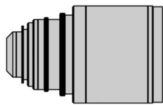




ATLAS LENS CO.

ORION  SERIES

OWNER'S MANUAL

Updated May 2021

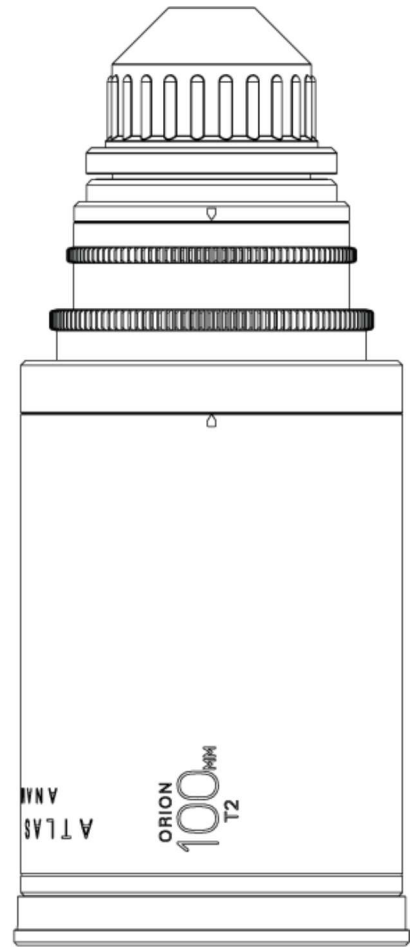
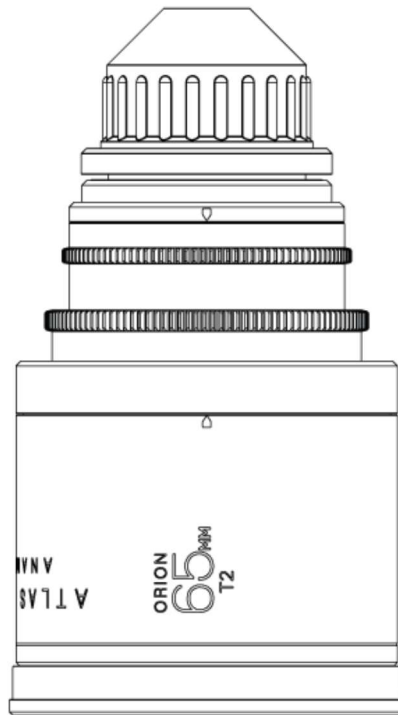
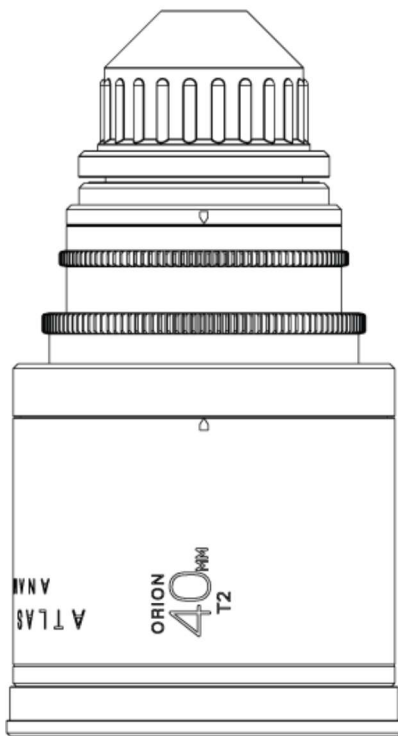


Table of Contents

About Anamorphic	3
Why we started Atlas Lens Co.	
How it works: What makes anamorphic special	
About the Orion Series	4
A Universal Filmmaking Tool: Lens Features	
Technical Specifications	
Adjustables	6
Scale Adjustment	
Mount Swap	
Warranty	9
What Is Covered Under My Warranty	
Service	10
Before Requesting Service	
How to Contact Service	
What To Expect	
Shipping	11
Shipping Your Lenses In For Service	
Our Shipping Process	
FAQ	12
Returns & Refunds	
Service Questions	
Technical Questions	
Accessories	
Contact Us	14

Anamorphic for Cinematographers, by Cinematographers

We started Atlas Lens Co. with two goals: To create the lenses we wanted to use for our own films, while making them accessible to cinematographers and image-makers everywhere.

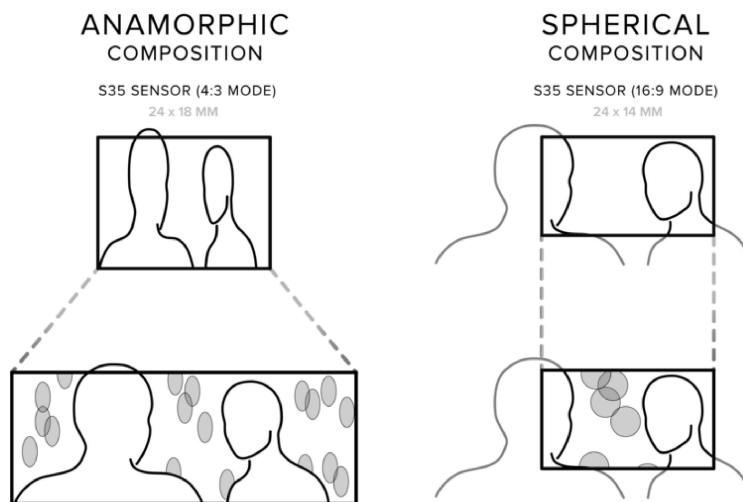
There aren't many options for affordable, professional-grade, anamorphic lenses out there. In 2016, our founders — lead designer Forrest Schultz and cinematographer Dan Kanes — started out in a garage with the dream of designing anamorphic lenses from the ground up: balanced and robust enough for professional-grade productions, yet accessible and affordable for all types of cinematographers.

We unveiled our first 65mm Orion Series prototype at NAB 2017. The demand then and even today has exceeded our own expectations. We are truly humbled and honored to have the opportunity to change cinematography for the better.

What makes anamorphic cinematography so special? It's often difficult to put into words the feeling we get when watching something shot with anamorphic lenses.

A 2X front anamorphic lens gives you **twice the horizontal field of view (2X)** with the same **vertical field of view** as that of a spherical lens of the same focal length. In effect, you can capture a wide-angle image with the inherent shallow depth of field qualities of a telephoto prime lens. This optical property creates a unique sense of perspective magnification adding depth to your images -- at times feeling more epic than real life as we experience it!

SEE THE DIFFERENCE: 2X ANAMORPHIC VS. SPHERICAL



©2017 ATLAS LENS CO.

ORION SERIES

A Universal Filmmaking Tool

Orion Series anamorphic prime lenses combine vintage aesthetics with modern convenience, adaptability, and dependability.

At the heart of our Orion Series is a true Front Anamorphic Group, delivering the striking beauty of painterly waterfall bokeh, disproportionate breathing, and signature controlled flare.

The Orion Series are built to be a universal filmmaking tool — perfect for the latest professional film and digital cinema cameras with native PL mounts but just as easily adapted to Canon EF-based cinema cameras.

Orion Series lenses are readily and easily compatible with all mirrorless video / stills hybrid cameras via any PL to mirrorless camera adapter. Whether your project requires you to shoot digital or film, the Orion Series offers the coverage you need and boasts a 24.89mmx18.66mm imaging area. They can easily cover full frame formats edge to edge with the [Atlas 1.6x LF Extender](#).

Vintage characteristics

- Waterfall bokeh
- Streak flare
- Disproportionate perspective magnification (Telephoto lens with wide-angle field)
- Pleasant spherical aberration when wide open
- Pleasing barrel distortion
- Gentle contrast

Modern conveniences

- Crisp flat-field performance when stopped down to a T2.8 or further
- Fast T2 aperture
- Modern, mechanically dependable design that's standardized across all focal lengths
- Unified focus and iris position reduces need for adjustment when switching to different focal lengths
- Standardized 114mm outer diameter for easy, native use with many matteboxes and filters

ORION SERIES

Technical Specifications

ORION SERIES	Details
Available focal lengths	32mm / 40mm / 50mm / 65mm / 80mm / 100mm
Anamorphic Coefficient	2x across the range
Aperture	T2 - T16
Mount System	Interchangeable; PL by default with option of EF

FOCAL LENGTH	32mm	40mm	50mm	65mm	80mm	100mm
T-STOP RANGE	T2 - T16	T2 - T16	T2 - T16	T2 - T16	T2 - T16	T2 - T16
MIN FOCUS (FT)	1 ¾ FT	2 FT	2 ½ FT	2 ¾ FT	3 FT	3 ½ FT
MIN FOCUS (M)	.53 M	.56 M	.76 M	.84 M	.91 M	1.0 M
WEIGHT (LBS)	4.7 LBS	5.2 LBS	5.0 LBS	5.0 LBS	6.0 LBS	6.7 LBS
WEIGHT (KG)	2.1 KG	2.4 KG	2.3 KG	2.2 KG	2.7 KG	3 KG
LENGTH (IN)	6.7"	7.4"	7"	7.2"	8.5"	10"
LENGTH (CM)	17	18.9	17.8	18.4	21.5	25.4
FRONT DIAMETER	114 mm	114 mm	114 mm	114 mm	114 mm	114 mm
IMAGE CIRCLE	31mm	31mm	31mm	31mm	31mm	31mm

Additional Conveniences

- Lens body coated in scratch-resistant anodized aluminum
- Accepts 105mm screw-in filter to facilitate drone and gimbal use (40mm-100mm)
- For additional stability, custom lens feet are available for purchase

Adjustables: Scales

What is an adjustable?

Adjustments that you can make to your lens without voiding the limited warranty.

Scale Adjustment

All focus scales for the Orion Series are adjustable to enhance scale accuracy depending on your camera model. To adjust or customize your scale position, follow the directions below.

Tools Needed: One 1.5mm Allen Key Hex driver

- 1) Loosen three hex head screws in the Focus Cover Plate using a 1.5mm hex screwdriver turning counter-clockwise. (see Fig. 1.1)
- 2) Find focus using the Focus Gear Ring. Stop once you have the sharpest possible image at the desired distance.
- 3) Hold the Focus Gear Ring securely in place and slide the Focus Scale until the focus mark lines up to the desired distance. (Fig. 1.2)

Check that the image is still sharp.

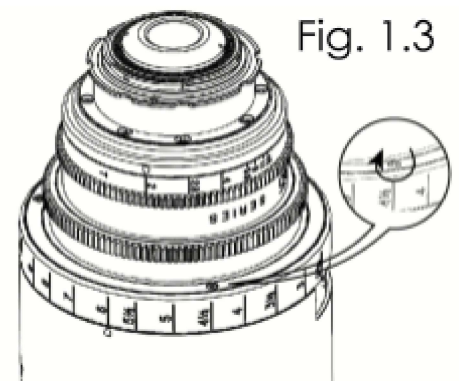
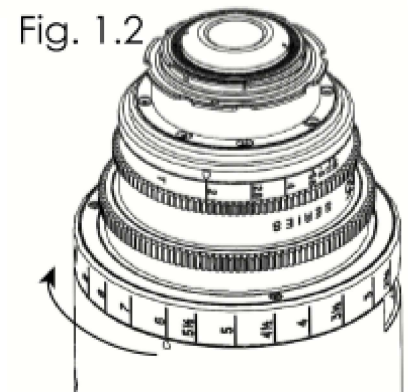
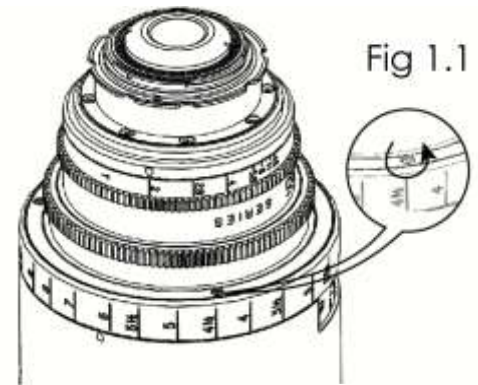
- 4) Tighten three hex head screws in the Focus Cover Plate turning clockwise. (Fig. 1.3)

Please secure the screws tightly, but be careful not to tighten the screws too forcefully as you could strip the screw.

- 5) Double check that the focus mark is correct. Repeat if needed.
- 6) Your scales are now ready to go.

Please note: As the scales themselves are manufactured as a universal part number, you may at times find that focus distance marks may not be 100% accurate depending on your camera and your lens. We plan to offer custom engraved PRO Scales as an accessory option in 2022.

Focus scale accuracy is in no way related to back focus shimming on Orion Series lenses. Lenses are factory-shimmed for optimized image quality respective to each lens' floating focus group.



Adjustables: Mounts

Mount Swap

To swap between different mounts of your choice (i.e. PL to EF or vice versa)

Tools Needed:

- One T6 Torx driver
- Shims, ideally calibrated and provided by the Atlas Service Department

Note: We recommend mount swaps be done in a controlled environment by an experienced user familiar with shimming and collimating lenses to ensure proper installation.

Directions

- 1) Remove the eight mount screws using a T6 Torx screwdriver. (see Fig. 2.1)
- 2) Remove the current mount. You should see the suggested shimming amount (Fig. 2.2) and the corresponding lens' serial number (Fig. 2.3) inscribed on the inside of the mount.
- 3) The new mount should also have the suggested shimming total and its respective lens serial number inscribed on the inside of the mount (see Fig. 2.4)
- 4) Before attaching the new mount, verify that the shimming amount inside the lens is the same as prescribed inside the mount to be attached. The shims are located beneath where the mount attaches and should be visible once the mount has been removed. (see Fig. 2.5)
- 5) Take out all of the shims and look for the thickness measurements inscribed on each shim. Add up the amounts. If the amount is different from the amount inscribed inside the mount to be attached, you will need to change the shimming by adding or subtracting to match the shim count of the mount you'd like to attach.

Fig. 2.1

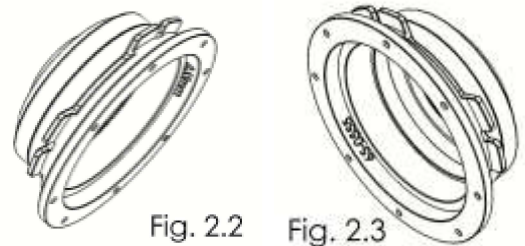


Fig. 2.2

Fig. 2.3

Fig. 2.4

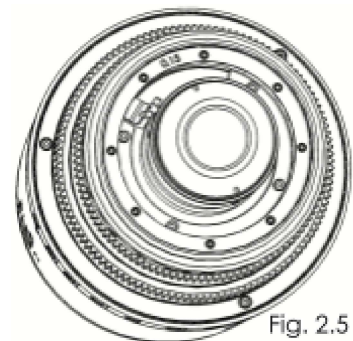


Fig. 2.5

- 6) Once you have the correct shimming amount, place the shims back onto the top of the lens. Make sure that the holes in the shims line up to the holes in the lens so that all eight mount screws can pass through.
- 7) Place the new mount over the shims so that the holes in the mount line up with the holes in the shims/ lens.

Note: For EF mounts, the red dot on the mount should line up to approximately the 10 o'clock angle of the lens (12 o'clock being the top of the lens where the serial number is located)

- 8) Once the mount is in place, secure the mount with the eight T6 screws. (Fig. 2.6)
- 9) Your new mount is now ready to use.

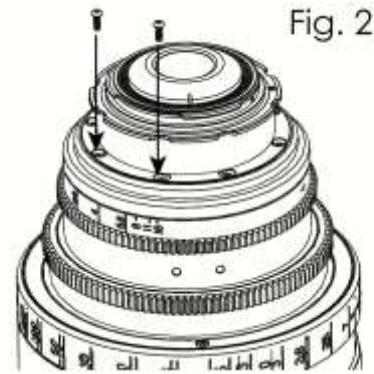


Fig. 2.6



Warranty Information

Do my lenses come with a warranty?

Yes, all Atlas Lens Co. lenses are covered by a 12-month manufacturer's limited warranty. Coverage starts on the shipment date of your lenses.

Who can use the warranty?

Only the original Atlas product purchaser may redeem the warranty. The warranty does not extend to any subsequent owner(s) or transferee(s) of the product(s).

What does the warranty cover?

The warranty covers any manufacturing defects in materials and workmanship. We will, at our discretion, replace any defective parts and repair any problems caused by our error. For any warranty repair or replacements, warranty services will be free of charge. **All repairs must be done by the Atlas service team in order to maintain your warranty.** You will be responsible for shipping your product to us for warranty service, but the warranty will cover shipping and handling to return the repaired or replacement product to you.

What is not covered under the warranty?

Any damage from normal wear and tear, storage, transportation, modifications, improper use, unauthorized repair*, or accidental damage beyond our control is not covered. For example, if someone dropped or dented your lens, or you took it to a beach shoot and now it's full of sand, the damage will not be covered by the warranty.

Note: this is a general description of our limited warranty, which is not legally binding. For our full warranty and coverage terms, please visit www.atlaslensco.com/limitedwarranty.

How do I obtain warranty service?

Contact service@atlaslensco.com to request a service estimate. Please include the following information: Your lens information and serial number(s), a description of the issue(s), and if possible, photos or video to help us better understand how we can help. Please see page 10 of this Owner's Manual for more detailed Service information.

**Unauthorized repairs include any repairs done by unauthorized third-party providers. Unauthorized repairs exclude any mount swaps or scale adjustments as listed in the Adjustables section of this Owner's Manual.*



Service

Before requesting a service

If you are having focus-related issues: We recommend you first check that the back focus/focal flange depth on your camera is accurate. The best tool for checking your camera's back focus is the DENZ FDC or FDC Lite BackFocus Inspection tool.

Additional issues are covered in the Troubleshooting section (page 13). If you are still experiencing issues, please contact our service team – instructions below:

How to contact the Atlas Service Team

Our service team can be reached at service@atlaslensco.com.

Requesting a service and what to expect

1. To request a service, email our service team at service@atlaslensco.com with the following information:
 - a. Your lens information and serial number(s)
 - b. A description of the issue
 - c. Photos or videos to help us better understand the issue(s)
2. We will then provide a Return Merchandise Authorization (**RMA**) number and instructions on how to send in your lenses. **No services will be provided without an RMA number.**
3. Ship your lenses to our Service facility (see SHIPPING info on the next page)
4. Once your lenses arrive, we will perform diagnostic checks and update you on our findings. From there, we will send you quotes for any service work recommended as well as an estimated timeline for the services to be completed.

(Note: Service time may vary depending on the severity of the issue and current service caseload at the time of your lens' arrival.)

5. After you review and choose to accept the service quotes, we will send you a formal invoice. Upon payment of the invoice, our technicians will begin work on your lenses.
6. Once your service is complete, we will email you the status of your product and coordinate return shipping.



Shipping Information

When returning a service lens:

- A custom hard case like our IP67 or ATA case is recommended to protect your items..
- Please save your original lens box! The custom foam inside is designed to meet shipping standards.
- If you no longer have the original box and do not have a hard case, returned lenses must be packed securely. Securely wrap them in bubble wrap and foam sufficient to be dropped from a height of four feet or 1 ¼ meters. Ensure the product does not shift in the box. [Double-boxing](#) is highly recommended.
- Use new packaging material, if possible. Recycled material may not meet packing standards or have suffered critical wear from previous use.
- Ship using an end-to-end courier, like FedEx, UPS or DHL. Do not use mail services like USPS or Royal Mail.
- An express service will reduce the amount of handling your lens is subjected to. We use Two-Day service for this reason.

For international customers or return shipping destinations:

When returning product from outside the USA, please fill out the commercial invoice with the following information:

- Declare value at **\$100 USD**.
- State clearly that the country of origin is **"USA"**
- Use HS code **"9801.10.00"**
- Under Declarations, write **"PRODUCT RETURNED TO MANUFACTURER FOR SERVICE -- NO COMMERCIAL VALUE"**.
- If the Service Dept. has issued a **Manufacturer's Affidavit**, it **MUST** be printed and included with the invoice.
- **Your shipment may be refused** if you fail to accurately fill out your shipment invoice.
- See this [sample commercial invoice](#) for reference.

Do I need to pay for shipping?

- Our policy for lenses under warranty: You are responsible for the cost of shipping the product to us, and we cover the return shipping to you.
- For any products to be serviced outside of the manufacturer's warranty, you are responsible for all freight costs.
- We will gladly assist to coordinate shipment if you need help.

For more shipping questions, please email logistics@atlaslensco.com.



Frequently Asked Questions

Order Questions

Do you offer returns or refunds?

We offer refunds only on deposits for undelivered products. All product sales are final, non-returnable, non-refundable. To request a refund on a deposit, please email info@atlaslensco.com. Refunds are processed within approximately 10 business days.

For a full list of our terms and conditions, please visit: atlaslensco.com/terms-conditions

Service Questions

How long will my warranty service take?

Typically services are completed within 2 to 3 weeks. The length of service will vary depending on the severity of the issues.

Can I borrow lenses while my lenses are being serviced?

We offer a demo program to provide you lenses so you never miss a shoot. Please include a demo request when contacting our service team at service@atlaslensco.com.

Where can I find pricing estimates on replacement parts?

Contact service@atlaslensco.com for more information.

Technical Questions

Do you have a recommendation which filters (UV or clear) to buy?

Our lenses generally work well with all cinematographic filter brands with 105mm filter threads, including Tiffen, Lindsey Optics, Schneider Optics, and Formatt KT.

Can the Orion series of lenses cover the full sensor of an Alexa Mini LF?

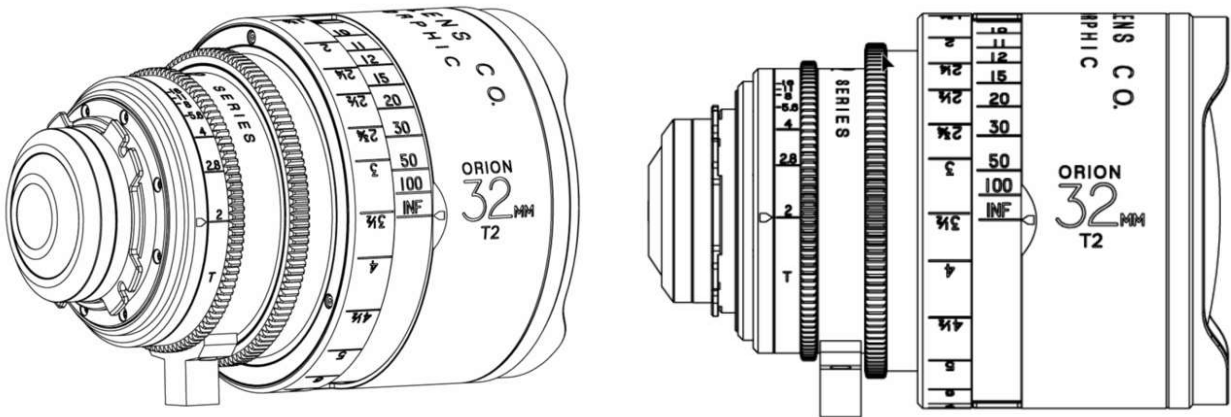
The Orion Series lenses are designed to cover traditional academy 35mm aperture (defined as 24.89mmx18.66mm), but they can also provide a variety of coverage options for different delivery formats. [See how our LF Extender pairs with the Orion Series on the Alexa Mini LF.](#)

We strongly recommend testing before any shoot to confirm your requirements. If you want to fully utilize the LF sensor edge-to-edge, we recommend using our [Atlas 1.6x LF Extender](#).

Accessories

Do you offer lens support accessories?

Yes, we offer lens support feet. Our lens support feet screw into two small holes on the bottom of the lens; see figures below. Contact info@atlaslensco.com for more information.



Are the EF and PL mounts interchangeable?

Yes. The mounts are interchangeable, but we recommend it be done in a controlled environment by an experienced user familiar with shimming and collimating lenses.

Can I buy the 1.6x LF extender today?

Yes. The [1.6x LF Extender](#) is available to ship immediately.

Does the Atlas 1.6x LF Extender work with other lenses?

It works with a variety of lenses but is optimized for our lenses. There is a clearance check gauge included which will allow you to see if your lens protrudes too far in the back to interface with the optics of the [1.6x LF Extender](#).

We also offer a [printable clearance check gauge](#) to confirm whether our LF Extender is compatible with your lens. If your lens' rear element clears the gauge, your lens should work with our LF Extender. However, physical fitment does not guarantee perfect optical performance, which is dependent on the optical design of your lens.

If you're unsure, please email info@atlaslensco.com, and we'll be glad to help.

Will the foam my lenses came with fit with any cases you sell?

Yes. The included custom precut foam is designed specifically to be used with our [single lens IP-67 cases](#). Upcycling shipping materials to useful storage helps our sustainability efforts!

Do you have any multi-lens cases for mixed sets? For example a 40/50/80 set?

Yes. We have a [three-lens IP67](#), [three-lens ATA](#), and a [four-lens ATA case](#) with custom individual foam inserts for all lens combinations.



Contact Us

General Information

For general inquiries and support, please email us at info@atlaslensco.com.

Service

The only way to contact our service team is through email. Our service team can be reached at service@atlaslensco.com.

See our service section on page 11 on how to best contact our service department.

Sales and Order Information

Contact our sales department at sales@atlaslensco.com.

Shipping Department

For shipment information, please contact logistics@atlaslensco.com.

More information

For more info on upcoming events, product drops, new stories and all things Atlas:

- Website: atlaslensco.com
- Instagram: [@atlaslensco](https://www.instagram.com/atlaslensco)
- Facebook: [facebook.com/atlaslensco](https://www.facebook.com/atlaslensco)
- Youtube: [youtube.com/atlaslensco](https://www.youtube.com/atlaslensco)
- Vimeo: vimeo.com/atlaslensco
- LinkedIn: [linkedin.com/company/atlaslensco](https://www.linkedin.com/company/atlaslensco)